

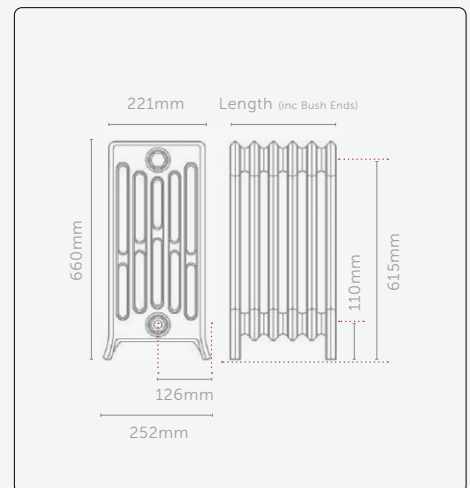
# Neo Georgian

“Simplicity is the ultimate sophistication”, Leonardo Da Vinci”. The stylish but straightforward Neo Georgian column cast iron radiator echoes back to the era of the early 1900s. The classic clean lines of this elegant design mean that it is well suited for either the modern or period home setting. With options of 2, 4 and even 6 column depths, the heat output per section is substantial. With its clean and elegant design, The Neo Georgian column cast iron radiator is a popular choice for homes that were built during the Arts and Crafts era, which influenced Britain until the 1930s.

**COLUMNS**      **HEIGHT** (Please select your required height to view heat output and specifications)

2   4   6      505   660   960

CODE/ SECTIONS	LENGTH	OUTPUT				WEIGHT (KG)	WATER CONTENT (LTRs)
		Dt60		Dt50			
		BTUs	WATTS	BTUs	WATTS		
GEO6-660-03	208	1641	481	1295	380	29	4.20
GEO6-660-04	269	2187	641	1726	506	38	5.60
GEO6-660-05	330	2734	801	2158	633	48	7.00
GEO6-660-06	391	3281	962	2590	759	58	8.40
GEO6-660-07	452	3828	1122	3021	886	67	9.80
GEO6-660-08	512	4375	1282	3453	1012	77	11.20
GEO6-660-09	573	4922	1442	3885	1139	86	12.60
GEO6-660-10	634	5469	1603	4316	1265	96	14.00
GEO6-660-11	695	6015	1763	4748	1392	105	15.40
GEO6-660-12	756	6562	1923	5179	1518	115	16.80
GEO6-660-13	816	7109	2084	5611	1645	125	18.20
GEO6-660-14	877	7656	2244	6043	1771	134	19.60
GEO6-660-15	938	8203	2404	6474	1898	144	21.00
GEO6-660-16	999	8750	2564	6906	2024	153	22.40
GEO6-660-17	1060	9297	2725	7338	2151	163	23.80
GEO6-660-18	1120	9843	2885	7769	2277	173	25.20
GEO6-660-19	1181	10390	3045	8201	2404	182	26.60
GEO6-660-20	1242	10937	3206	8632	2530	192	28.00
GEO6-660-21	1303	11484	3366	9064	2657	201	29.40
GEO6-660-22	1364	12031	3526	9496	2783	211	30.80
GEO6-660-23	1424	12578	3686	9927	2910	221	32.20
GEO6-660-24	1485	13125	3847	10359	3036	230	33.60
GEO6-660-25	1546	13672	4007	10790	3163	240	35.00
GEO6-660-26	1607	14218	4167	11222	3289	249	36.40
GEO6-660-27	1668	14765	4327	11654	3416	259	37.80
GEO6-660-28	1728	15312	4488	12085	3542	269	39.20
GEO6-660-29	1789	15859	4648	12517	3669	278	40.60
GEO6-660-30	1850	16406	4808	12949	3795	288	42.00
GEO6-660-31	1911	16953	4969	13380	3922	297	43.40
GEO6-660-32	1972	17500	5129	13812	4048	307	44.80
GEO6-660-33	2032	18046	5289	14243	4175	316	46.20
GEO6-660-34	2093	18593	5449	14675	4301	326	47.60
GEO6-660-35	2154	19140	5610	15107	4428	336	49.00
GEO6-660-36	2215	19687	5770	15538	4554	345	50.40
GEO6-660-37	2276	20234	5930	15970	4681	355	51.80
GEO6-660-38	2336	20781	6090	16401	4807	364	53.20
GEO6-660-39	2397	21328	6251	16833	4934	374	54.60
GEO6-660-40	2458	21874	6411	17265	5060	384	56.00



01205 280354

sales@paladinradiators.com

www.paladinradiators.com

Paladin Radiators, Langrick Road,  
New York, Lincolnshire LN4 4XH



Maximum test pressure = 7.8 bar | Maximum working pressure = 6.0 bar